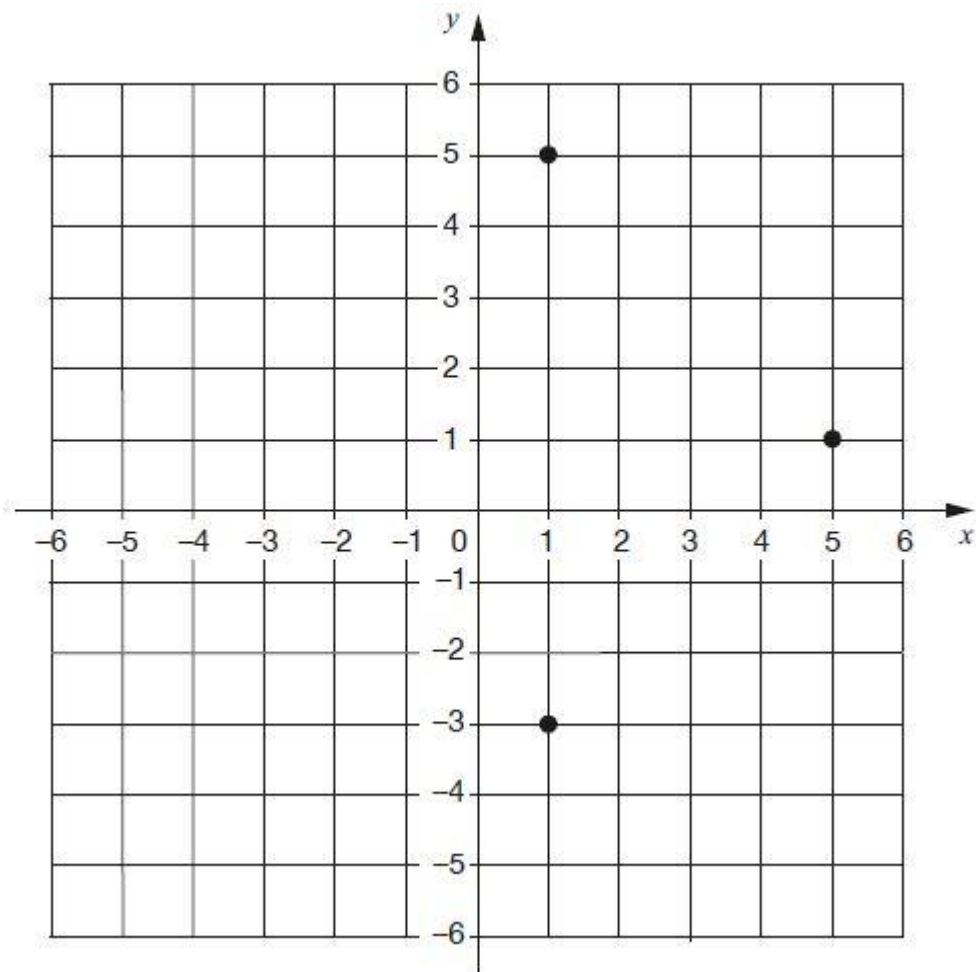


Q1.

Layla draws a **square** on this coordinate grid.

Three of the vertices are marked.



What are the coordinates of the missing vertex?

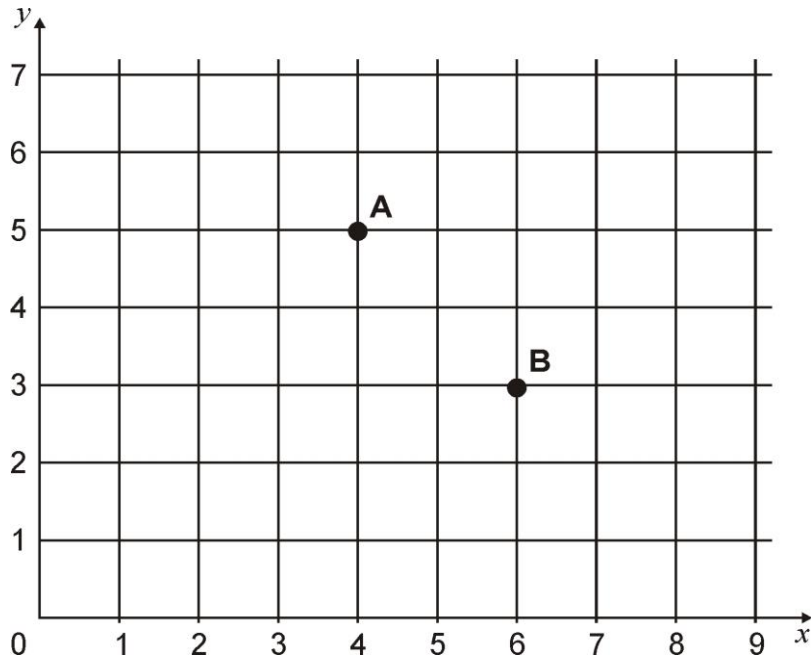
| |
|-----------------|
| (,) |
|-----------------|

1 mark

Q2.

A, B, C and **D** are the vertices of a rectangle.

A and **B** are shown on the grid.



D is the point (3, 4)

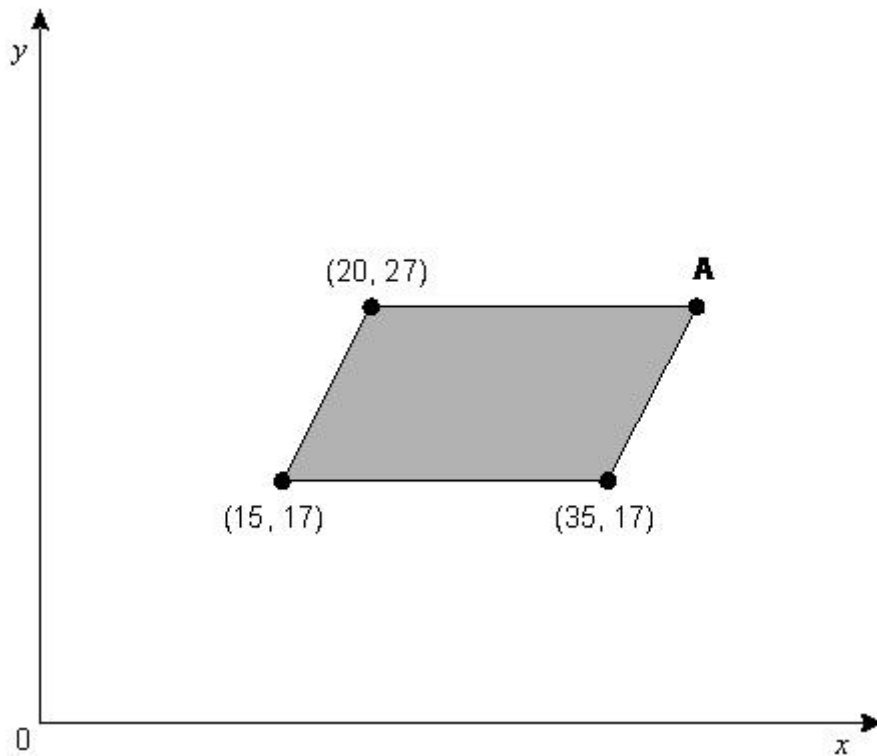
Write the coordinates of point **C**.

(,)

1 mark

Q3.

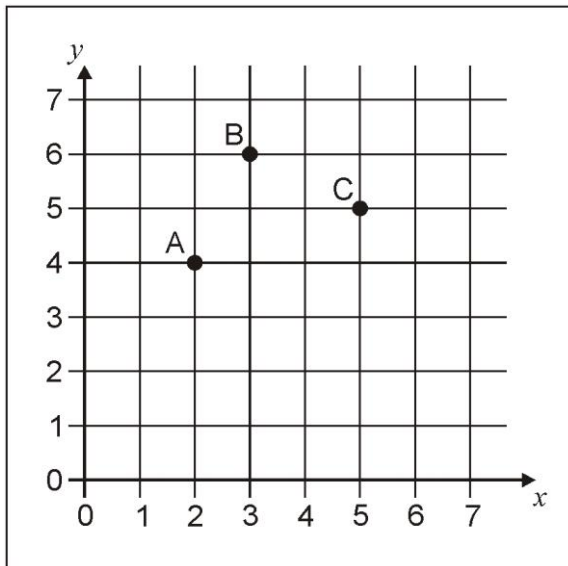
The shaded shape is a parallelogram.



Write in the coordinates of point **A**.

1 mark

Q4.



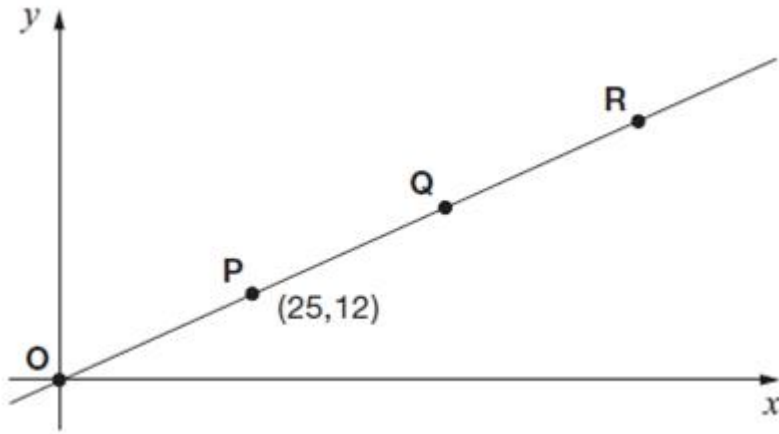
A, B and C are three corners of a **square**.

What are the **co-ordinates** of the **other corner**?

1 mark

Q5.

Here is a line on coordinate axes.



Points **O**, **P**, **Q** and **R** are equally spaced.

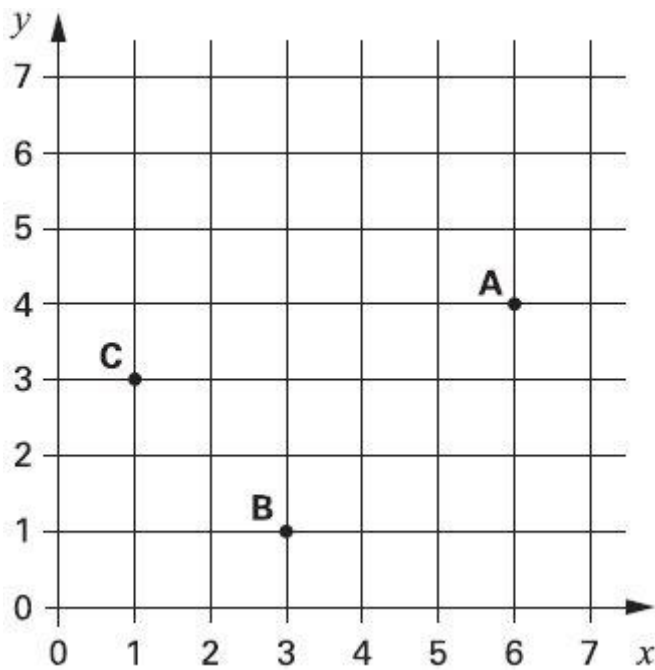
The coordinates of **P** are (25,12).

What are the coordinates of **R**?

R = (,)

1 mark

Q6.



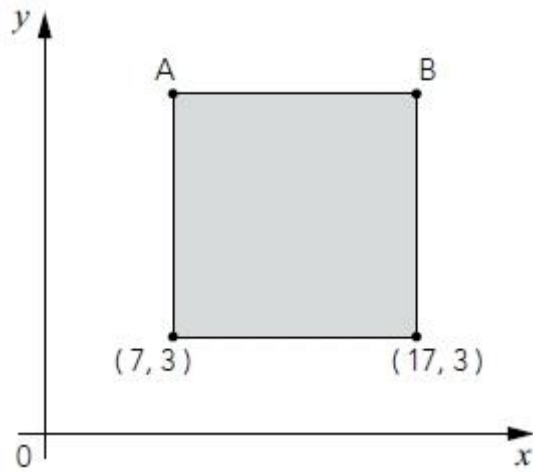
A, B and C are three corners of a rectangle.

What are the coordinates of the fourth corner?

1 mark

Q7.

The shaded shape is a **square**.



Not drawn accurately

What are the coordinates of A and B?

A is

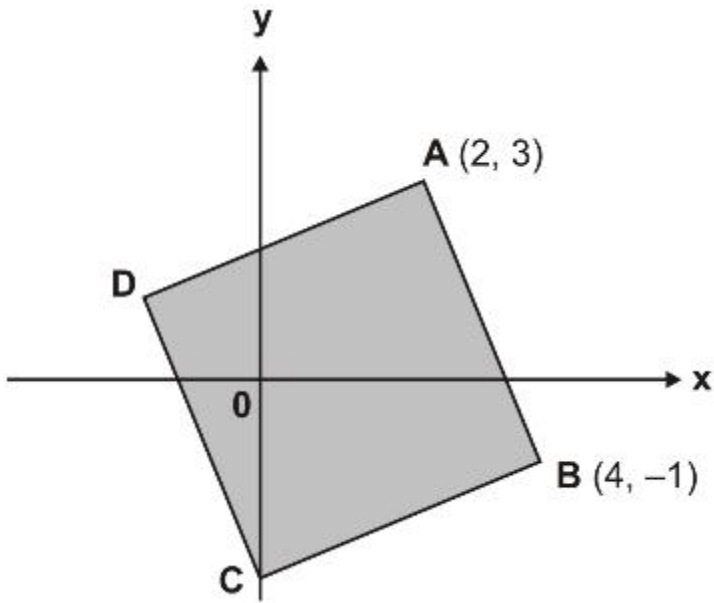
1 mark

B is

1 mark

Q8.

The shaded shape ABCD is a **square**.

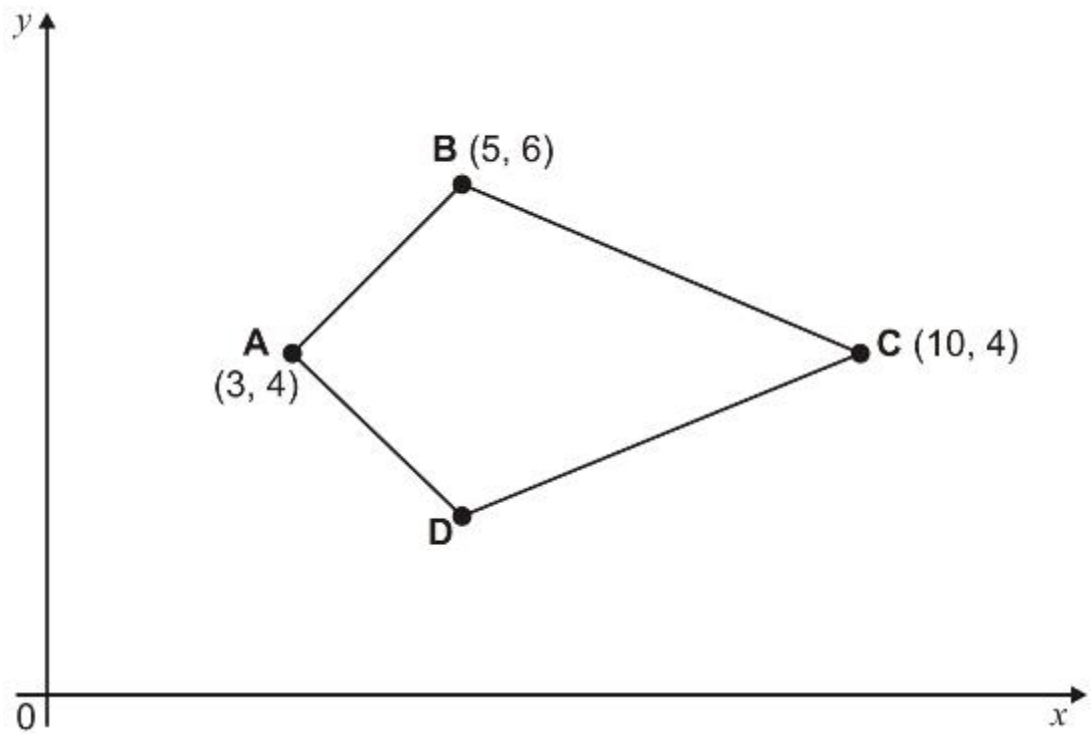


What are the co-ordinates of **D**?

1 mark

Q9.

Here is a kite.



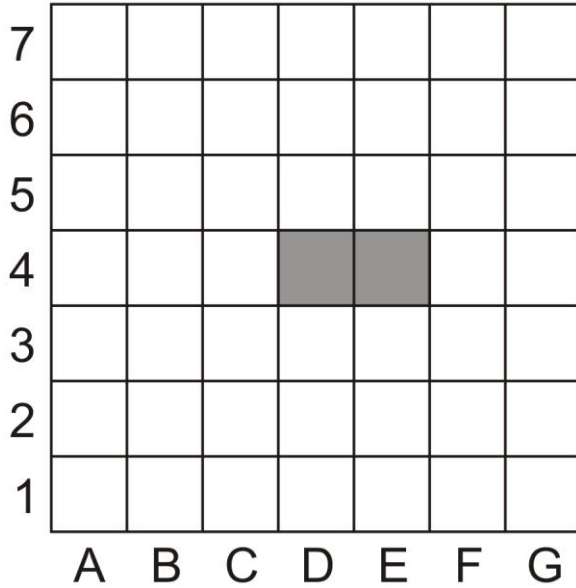
Write the coordinates of point **D**.

(,)

1 mark

Q10.

The shaded rectangle covers squares (D, 4) and (E, 4).



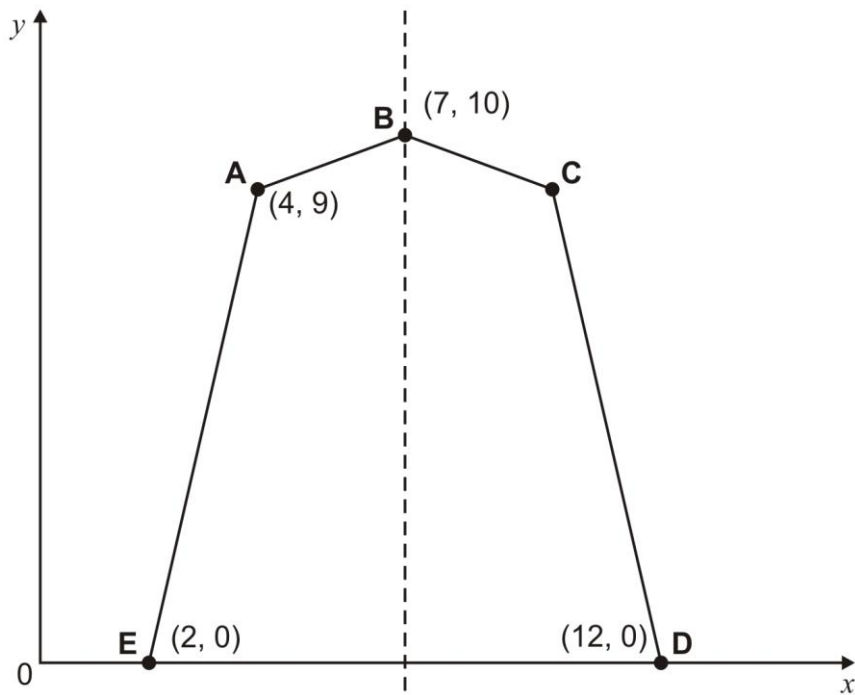
Draw and shade the rectangle that covers (B, 5) and (B, 6).

1 mark

Q11.

Here is a pentagon drawn on a coordinate grid.

The pentagon is symmetrical.



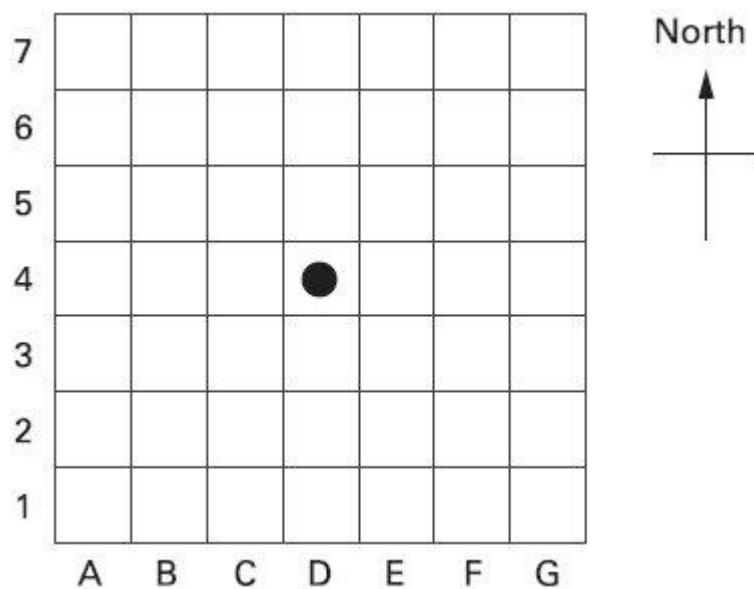
What are the coordinates of point **C**?

(,)

1 mark

Q12.

Lisa places a counter on square **D4**



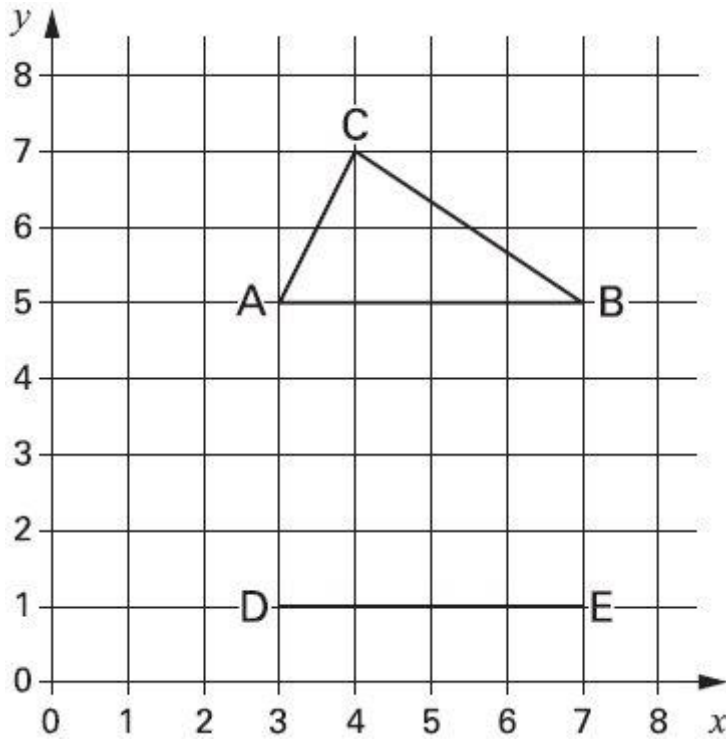
She moves it 2 squares east and 3 squares south.

Write the position of the square she moves it to.

1 mark

Q13.

Kyle has drawn triangle **ABC** on this grid.



Holly has started to draw an **identical** triangle **DEF**.

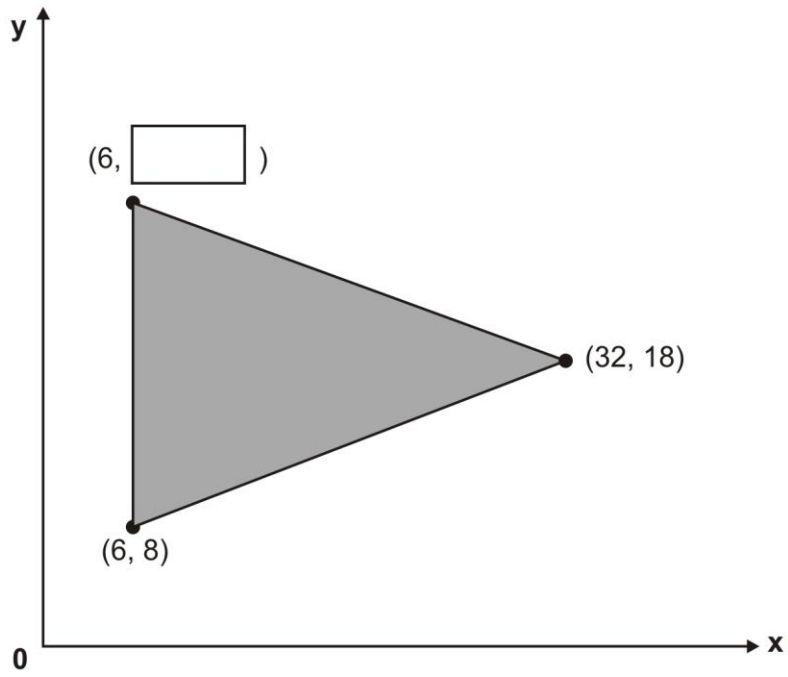
What will be the coordinates of point **F**?

1 mark

Q14.

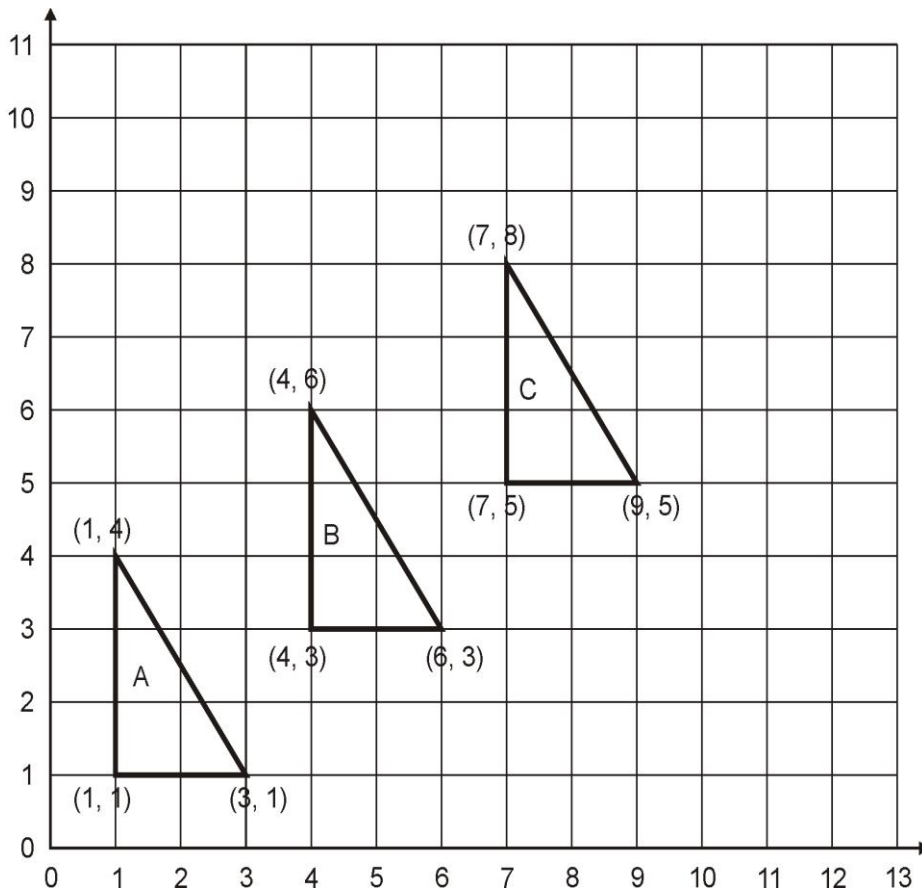
The shaded shape is an **isosceles** triangle.

Write in the missing co-ordinate.



1 mark

Q15.

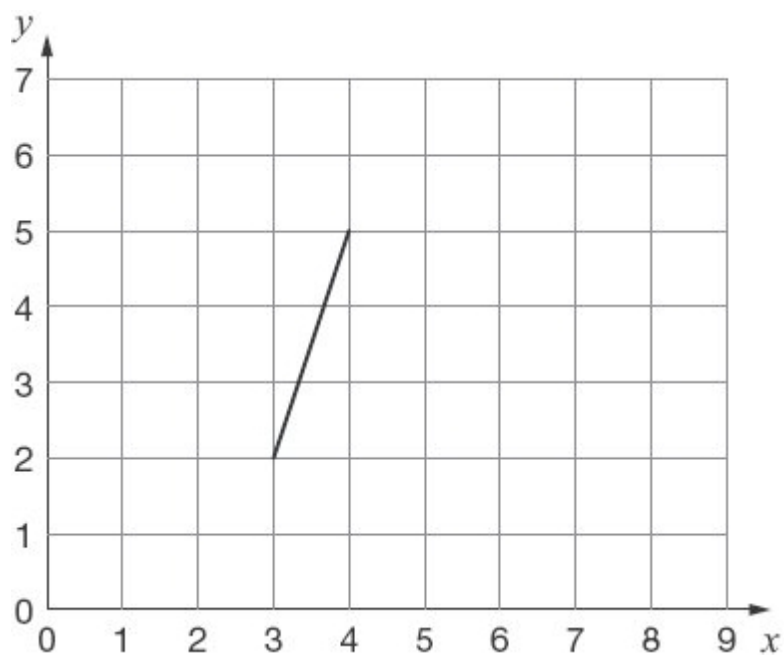


Write the co-ordinates of the next triangle in the sequence.

1 mark

Q16.

Here is one side of a square drawn on a coordinate grid.



The square has a vertex at (6, 1).

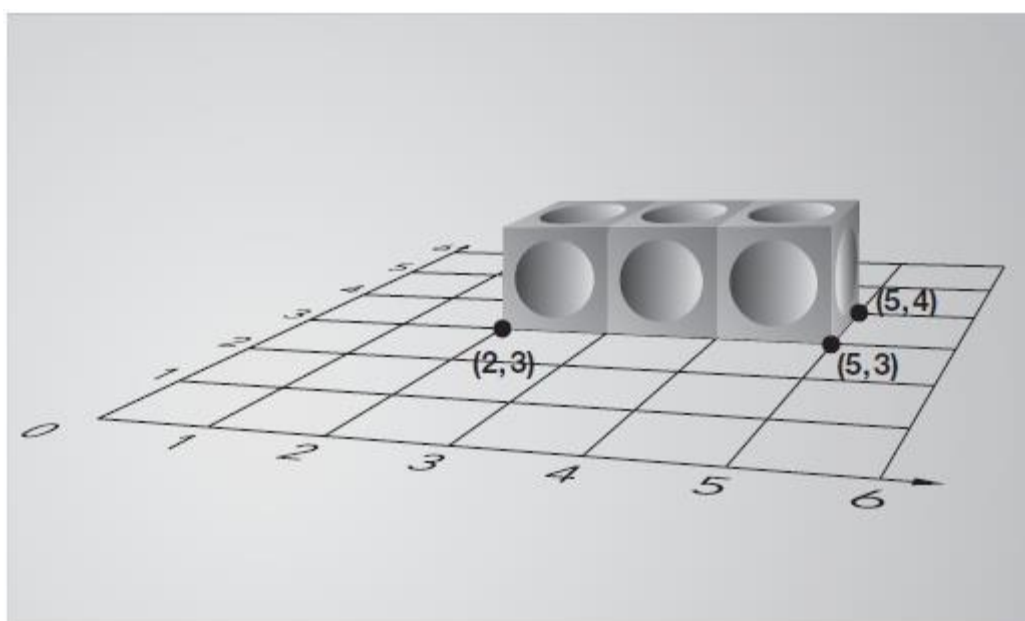
Draw the other three sides of the square on the grid.

Use a ruler.

1 mark

Q17.

Alfie places three cubes on a coordinate grid.
The base of his shape is a rectangle.



Complete this sentence:

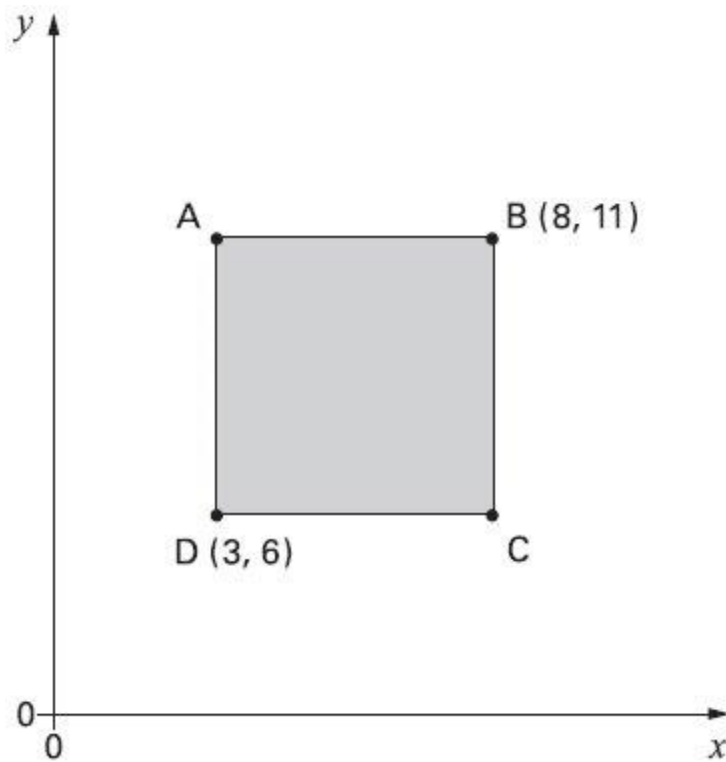
The four **vertices** of the rectangle are

(2, 3), (5, 3), (5, 4) and (,)

1 mark

Q18.

Here is a shaded square.



Write the coordinates for point A.

A = (,)

1 mark

Mark schemes

Q1.

(-3, 1)

Do not accept (3-, 1)

[1]

Q2.

(5, 2)

*Coordinates must be written in the correct order.
Accept unambiguous answers written on the diagram.*

[1]

Q3.

(40, 27)

*Coordinates must be written in the correct order.
Accept unambiguous answers written on the diagram.*

[1]

Q4.

(4, 3)

*No mark is awarded for (3, 4).
If answer box is blank, accept 4,3 **OR** 4 3 on diagram.*

[1]

Q5.

(75, 36)

Accept unambiguous answers written on the diagram.

[1]

Q6.

(4, 6)

Both numbers must be correct for the award of the mark.
*Accept correct answers written on the diagram with or without brackets.
Coordinates must be written in the correct order.*

[1]

Q7.

Indicates correct coordinates for both points, ie A as (7, 13) and B as (17, 13)

2

or

Indicates correct coordinates for one point

or

Transposes the responses, ie A as (17, 13) and B as (7, 13)

or

The only error is to indicate incorrect, but consistent, y ordinates, provided $y > 3$

eg

- A as (7, 12) and B as (17, 12)

1
U2

[2]

Q8.

(-2, 1)

Both co-ordinates must be correct.

Do not accept (1,-2).

If box is blank accept answer on diagram or elsewhere with or without brackets and comma.

[1]

Q9.

(5, 2)

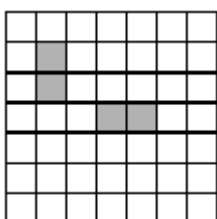
Coordinates must be in the correct order.

Accept unambiguous answers written on the diagram.

[1]

Q10.

(B, 5) and (B, 6) shaded



Both correctly shaded for 1 mark.

[1]

Q11.

(10, 9)

Coordinates must be in the correct order.

Accept unambiguous answers written on the diagram.

[1]

Q12.

F1

Do not accept 1F.

[1]

Q13.

(4, 3)

Coordinates must be written in the correct order.

Accept (6, 3), (4, -1) or (6-1)

Accept answers written on the diagram, with or without brackets and commas.

[1]

Q14.

28

[1]

Q15.

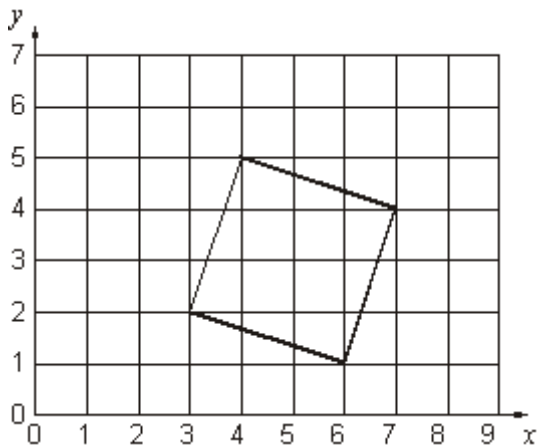
(10, 7) (12, 7) (10, 10)

All correct, in any order for 1 mark.

[1]

Q16.

Diagram completed as shown:



Accept slight inaccuracies in drawing

[1]

Q17.

(2, 4)

[1]

Q18.

(3, 11)

*Coordinates must be written in the correct order.
Accept correct answer written on the diagram, with or without
brackets or commas.*

[1]